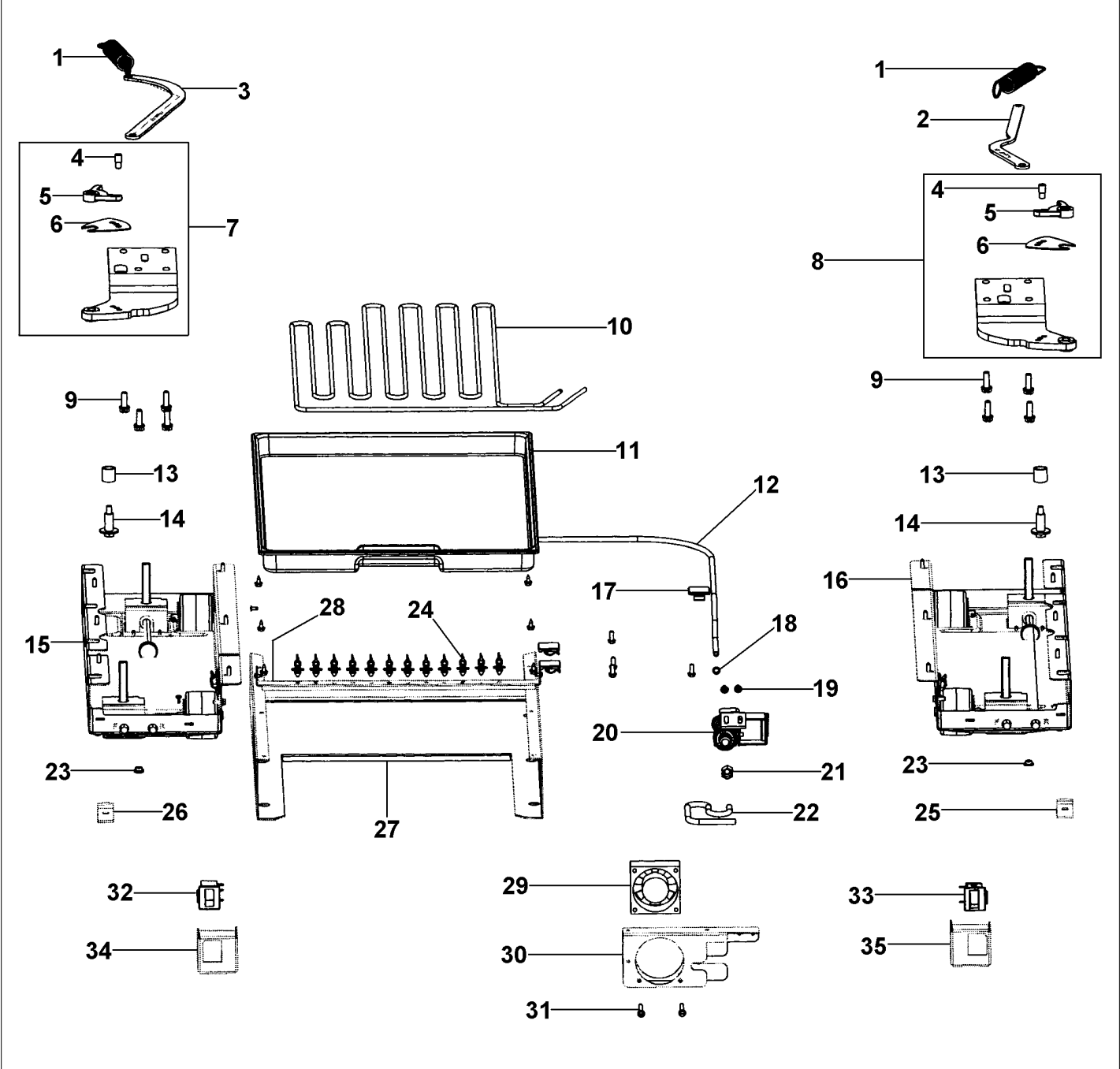


DFSB483HSERIES

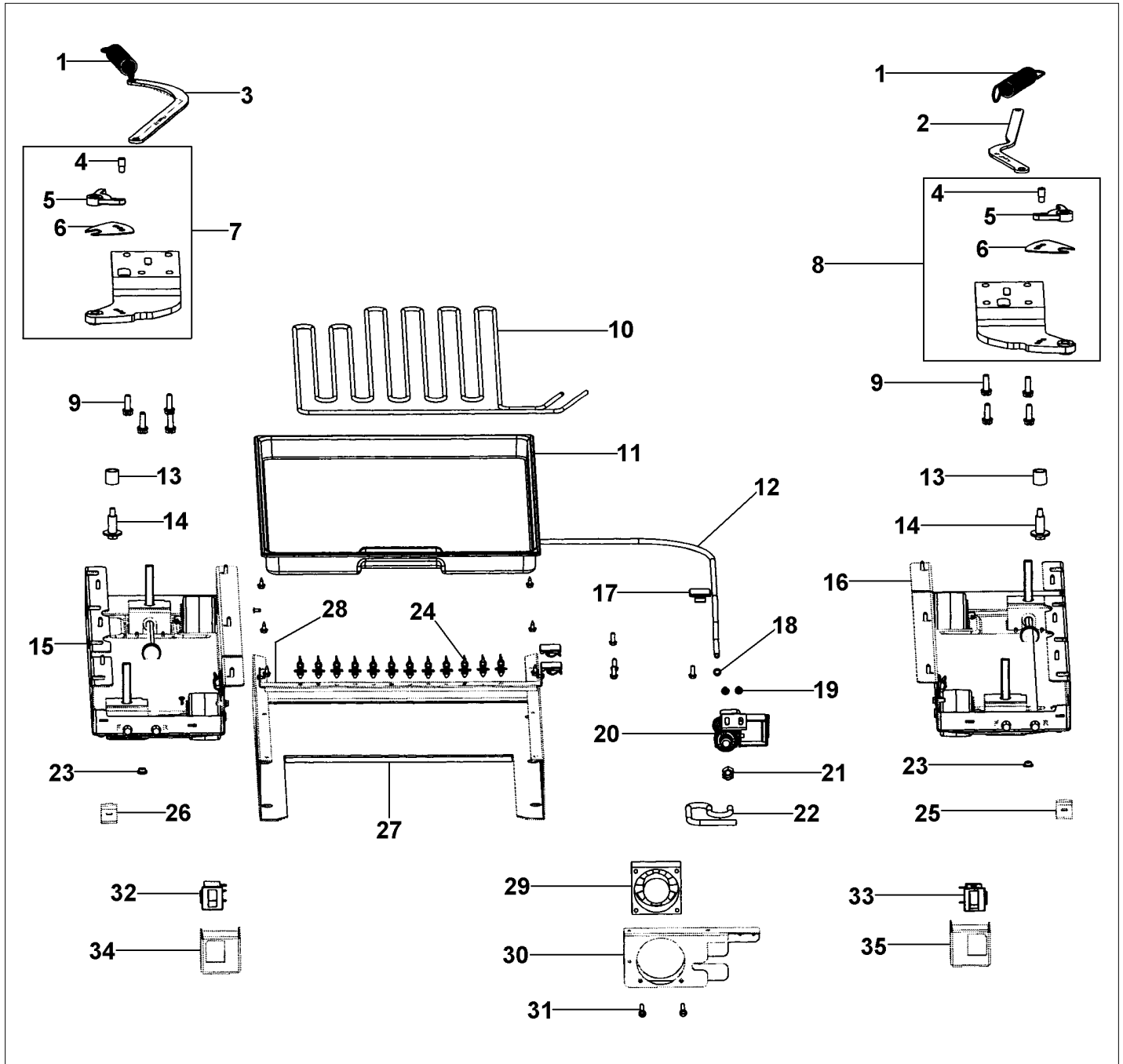
BOTTOM ASSY	1
CABINET EXTERIOR ASSY	2
CABINET INTERIOR ASSY	3
CONTROL ASSY	4
FLOW CHART DEFROST	5
FLOW CHART ICE MAKER	6
FLOW CHART NO COMPRESSOR	7
FREEZER DOOR ASSY	8
FRZ COMPARTMENT ASSY	9
HIGH SIDE ASSY	10
LOW SIDE ASSY	11
REF COMPARTMENT ASSY	12
REFRIGERATOR DOOR ASSY	13
UPPER GRILLE ASSY (AFTER)	14
UPPER GRILLE ASSY (BEFORE)	15
Appendix A:Pages Index	A
Appendix B:Parts Index	B

BOTTOM ASSY





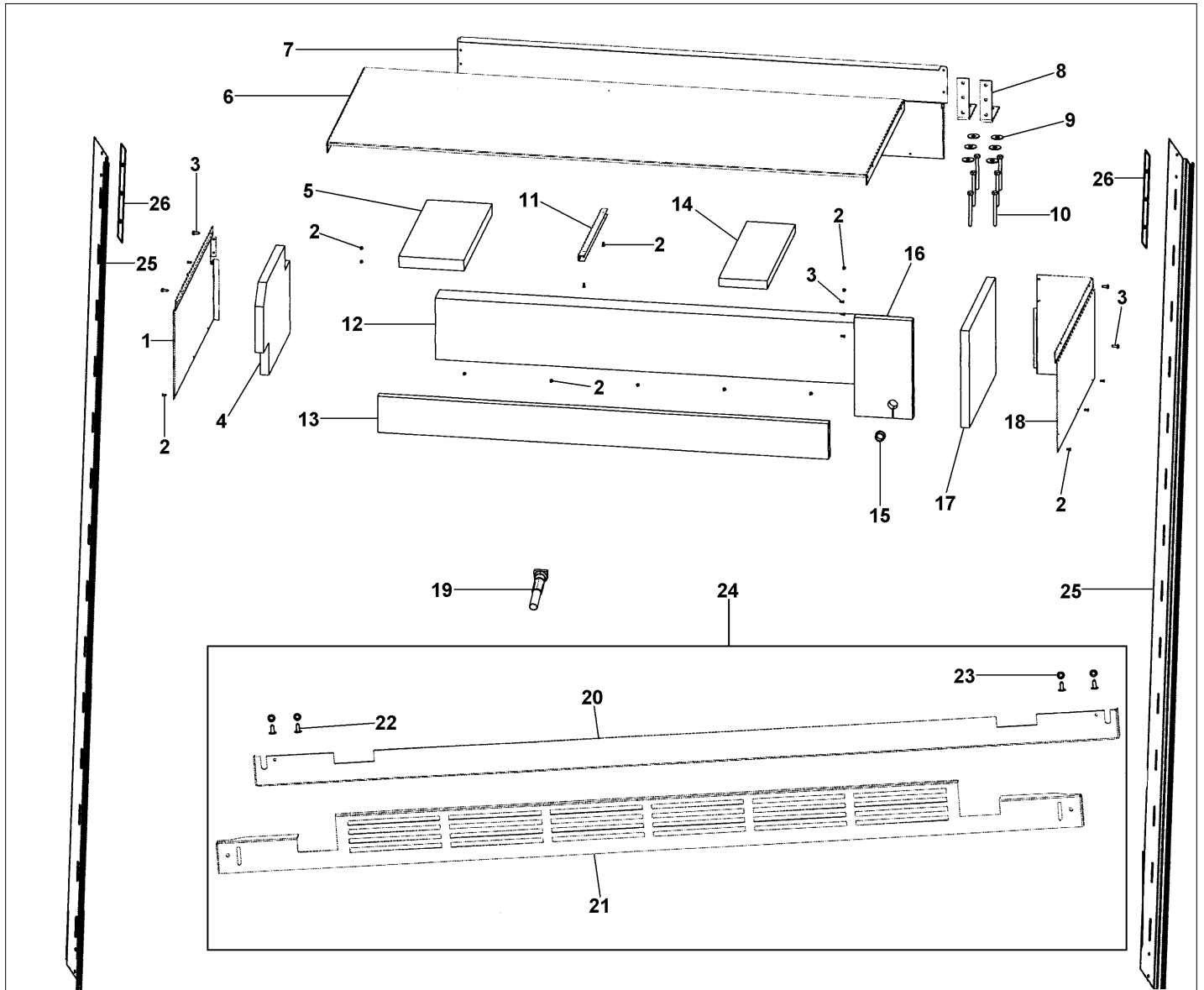
Item	Part No.	Name	Qty	Uom	NOTES
1	PC910015	SPRING EXTENSION		EA	
2	PC920166	HINGE ASM COMPLETE RR		EA	
3	PC920149	BAR-WC BOT HINGE LH		EA	
4	PC920145	PIN - DOOR STOP		EA	
5	PD940091	BUSHING - DOOR STOP		EA	
6	PC920144	PLATE - WC DOOR SHIM		EA	
7	G3298649	HINGE ASM COMPLETE LL		EA	
8	G3298648	HINGE ASM COMPLETE LR		EA	
9	000570-000	FASTENER, BOLT, 1/4-20 IHXWS 1" S ZN SER		EA	
10	F2099467	SERPENTINE, DRAIN PAN		EA	
11	PK930348	PAN DRAIN		EA	
Not Shown	NOTE	(After 2/23/05)		EA	
11	12071301	PAN, DRAIN		EA	
Not Shown	NOTE	(BEFORE 02/23/05)		EA	
12	PB020302	PLASTIC TUBING-DOOR WATERLINE SXS DISP		EA	
13	PD940107	ROUND SPRING SPACER		EA	
14	M0221523	SCREW - SHLDR		EA	
15	060891-000	LEVELER MODULE L		EA	
16	060890-000	LEVELER MODULE R		EA	
17	M0104106	CLIP-CORD VM0104106		EA	
18	PM910498	SLEEVE COMPRESSION 1/4		EA	
19	M0220417	SCREW-TC		EA	
20	PA970012	SINGLE WATER VALVE		EA	
21	PD930135	NUT COMPRESSION 1/4		EA	
22	PB920202	TUBING, WATER VALVE		EA	
23	PD940094	BUSHING		EA	
24	PD030146	STAND OFF LOCK CLIP		EA	
25	K2098044	BRKT GRILLE SUPPORT		EA	
26	K2098096	BRKT GRILLE SUPPORT		EA	
27	K20911386	RAIL SHIELD BOTTOM		EA	





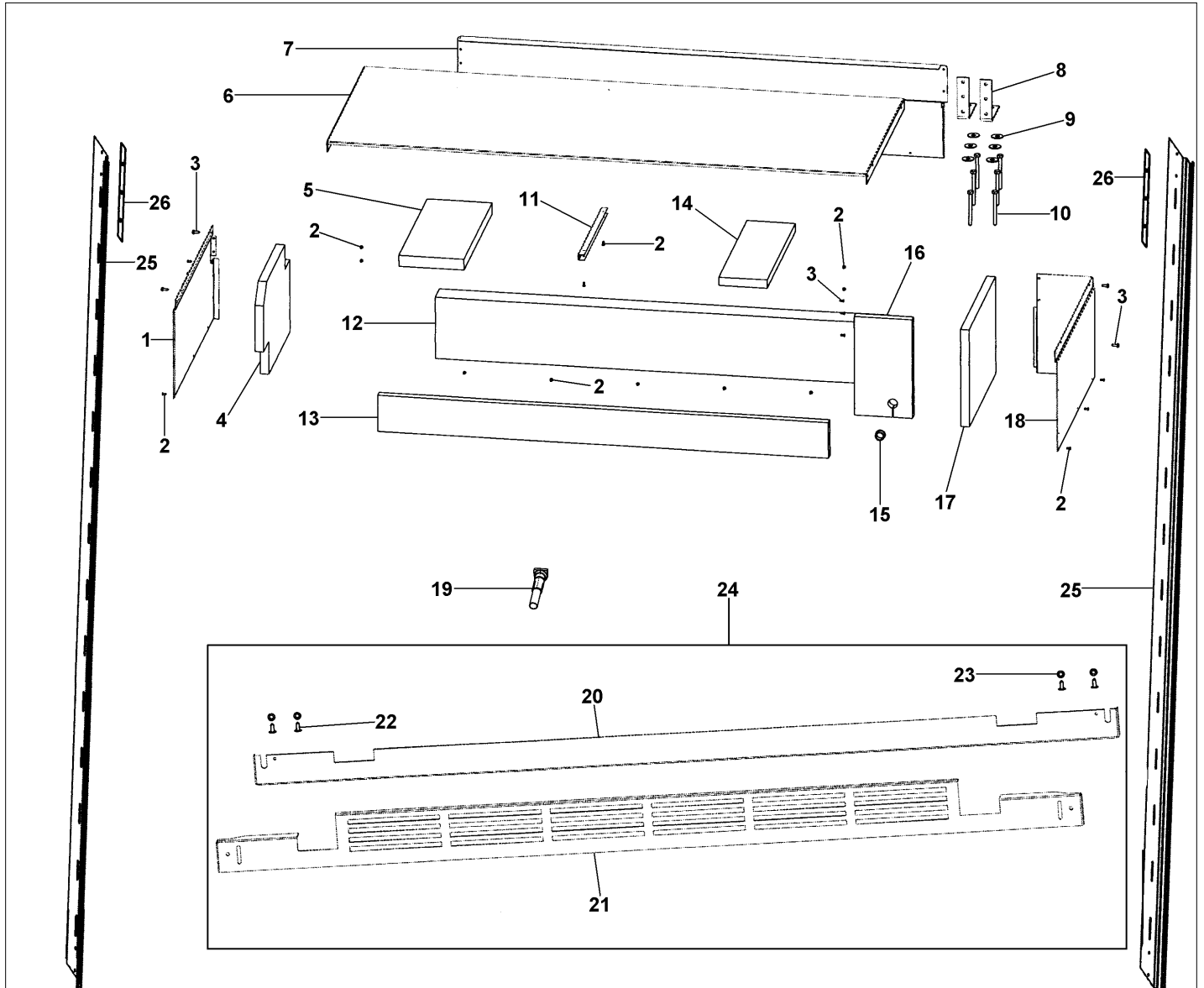
Item	Part No.	Name	Qty	Uom	NOTES
28	K20913040	BRACKET, CONDENSATE SUPPORT		EA	Not available online / Call for pricing and availability
29	004551-000	AXIAL FAN		EA	
<p>Comments for Part Num. 004551-000</p> <p>gboltz@VikingRange.com on Jul 21, 2016</p> <p>View service bulletin TR-0052-SP before ordering fan, if applicable order kit instead of fan</p>					
30	K2099464	BRACKET, FAN AND VALVE		EA	
31	M0218137	SCREW-SM		EA	
32	PE950146	SPDT SWITCH		EA	
33	PE950147	SWITCH SPST NC BLACK		EA	
<p>Comments for Part Num. PE950147</p> <p>bradleysapplianceservice@shaw.ca on May 1, 2017</p> <p>CAUTION WHEN ORDERING DOOR SWITCH. PARTS LISTINGS COULD BE INCORRECT.</p> <p>THERE IS TWO VERSIONS OF THIS DOOR SWITCH THAT NEEDS TO BE VISUALLY CHECKED ON UNIT TO DETERMINE CORRECT PART.</p> <p>PE950146 DOOR SWITCH 3 WIRE SPDT BLACK</p> <p>PE950147 DOOR SWITCH 2 WIRE SPST BLACK</p>					
34	C9098045BK	BASE GRILLE SWITCH MOUNT - LH		EA	
35	C9098046BK	BASE GRILLE SWITCH MOUNT - RH		EA	Not available online / Call for pricing and availability

CABINET EXTERIOR ASSY





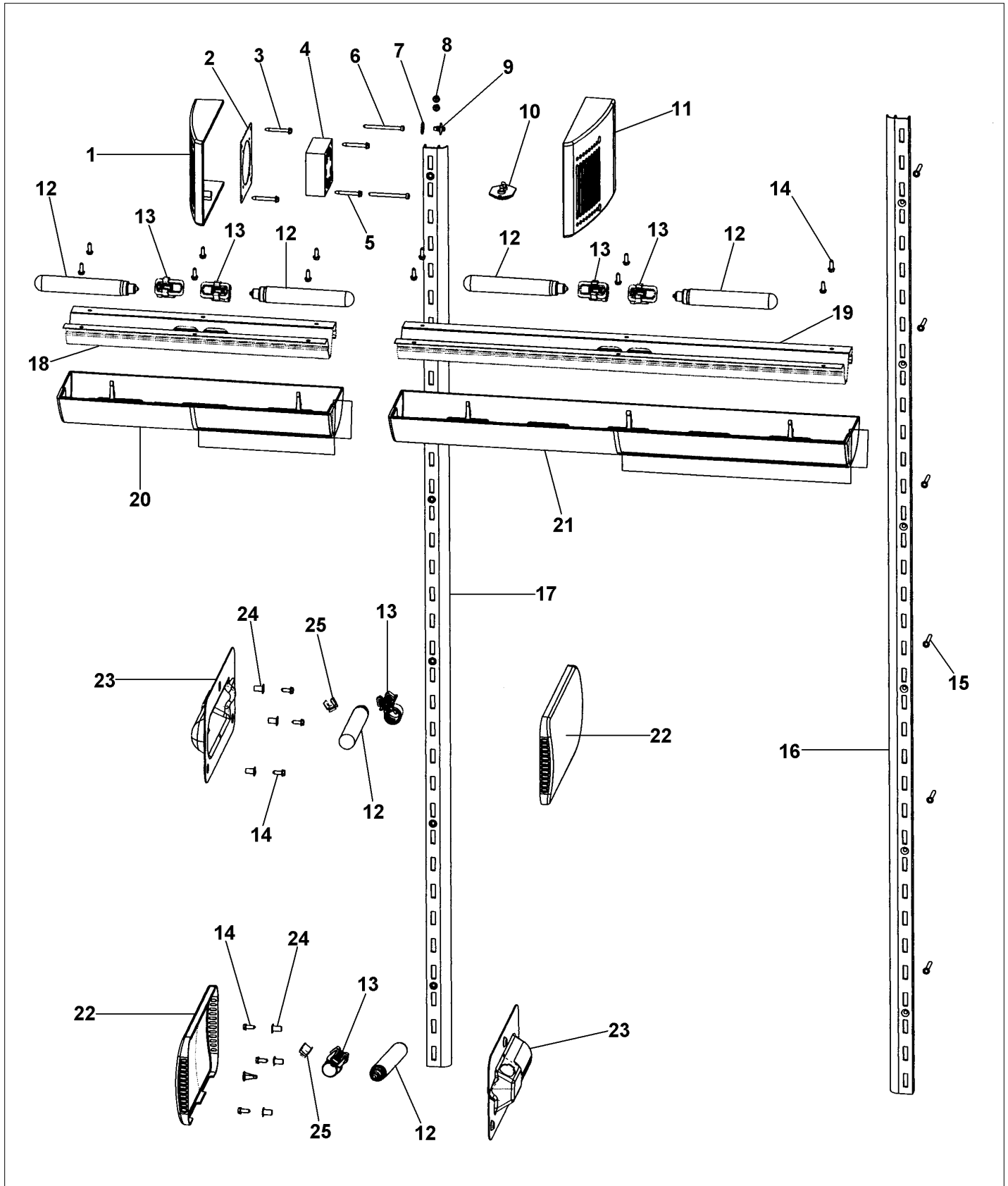
Item	Part No.	Name	Qty	Uom	NOTES
1	K2099460	MC SIDE L	1	EA	
2	A4539601	DAMPER-TUBING .8	1	EA	Not available online / Call for pricing and availability
3	M0238616	SCREW, SMALL	1	EA	
4	12074601	INSUL-L MC CVR V12074601	1	EA	
5	12074704	INSUL-MC CVR	1	EA	
6	K20910007	MC TOP SXS 48	1	EA	
7	K20910008	MC BACK SXS 48	1	EA	
8	PK910089	BRACKET, ANTI - TIP	1	EA	
9	M0270510	WASHER #	1	EA	
10	M0223509	SCREW-LAG	1	EA	
11	K2099455	SUPPORT MC Z	1	EA	
12	PB970174	INSUL MC BACK SXS 48 LOWER	1	EA	NO LONGER AVAILABLE, Not available online / Call for pricing and availability
13	PB970173	INSUL MC BACK SXS 48 UPPER	1	EA	NO LONGER AVAILABLE
14	12074701	INSUL-MC CVR V12074701	1	EA	
15	A4554806	BUSHING-SNAP VA4554806	1	EA	
16	PB970171	MC INSULATION - BACK SIDE	1	EA	Not available online / Call for pricing and availability
17	12074702	INSUL-R MC CVR V12074702	1	EA	
18	K2099459	MC SIDE (RIGHT)	1	EA	
19	G5096419	FILL TUBE ASSY	1	EA	
<p>Comments for Part Num. G5096419</p> <p>bradleysapplianceservice@shaw.ca on May 11, 2018</p> <p>This part G5096419 does NOT come with the aluminum tube.</p> <p>If aluminum tube is required, order 005899-000 and cut to size.</p>					
20	C90910006BK	GRILLE TOE SOLID 48	1	EA	
21	C90910004BK	GRILLE TOE VENTED	1	EA	
22	M0210443	SCREW-E SM VM0210443	1	EA	





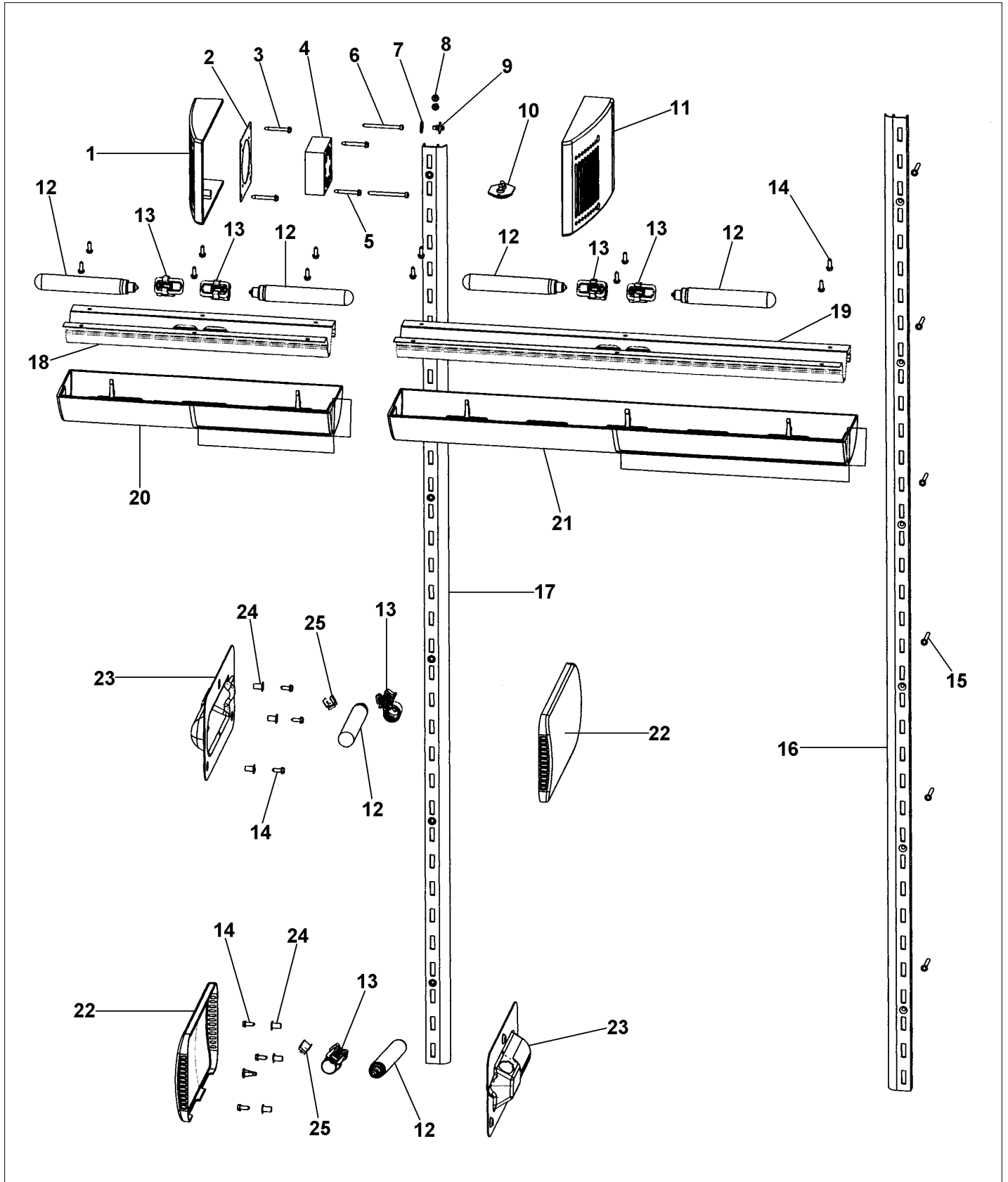
Item	Part No.	Name	Qty	Uom	NOTES
23	4037P01	NYLON WASHER	1	EA	Not available online / Call for pricing and availability
24	G50910002	TOE GRILLE ASSY	1	EA	
25	PK920066	TRIM, EXTRU, SIDE DES	1	EA	
26	12135402	SHIM-CAB TRIM	1	EA	

CABINET INTERIOR ASSY





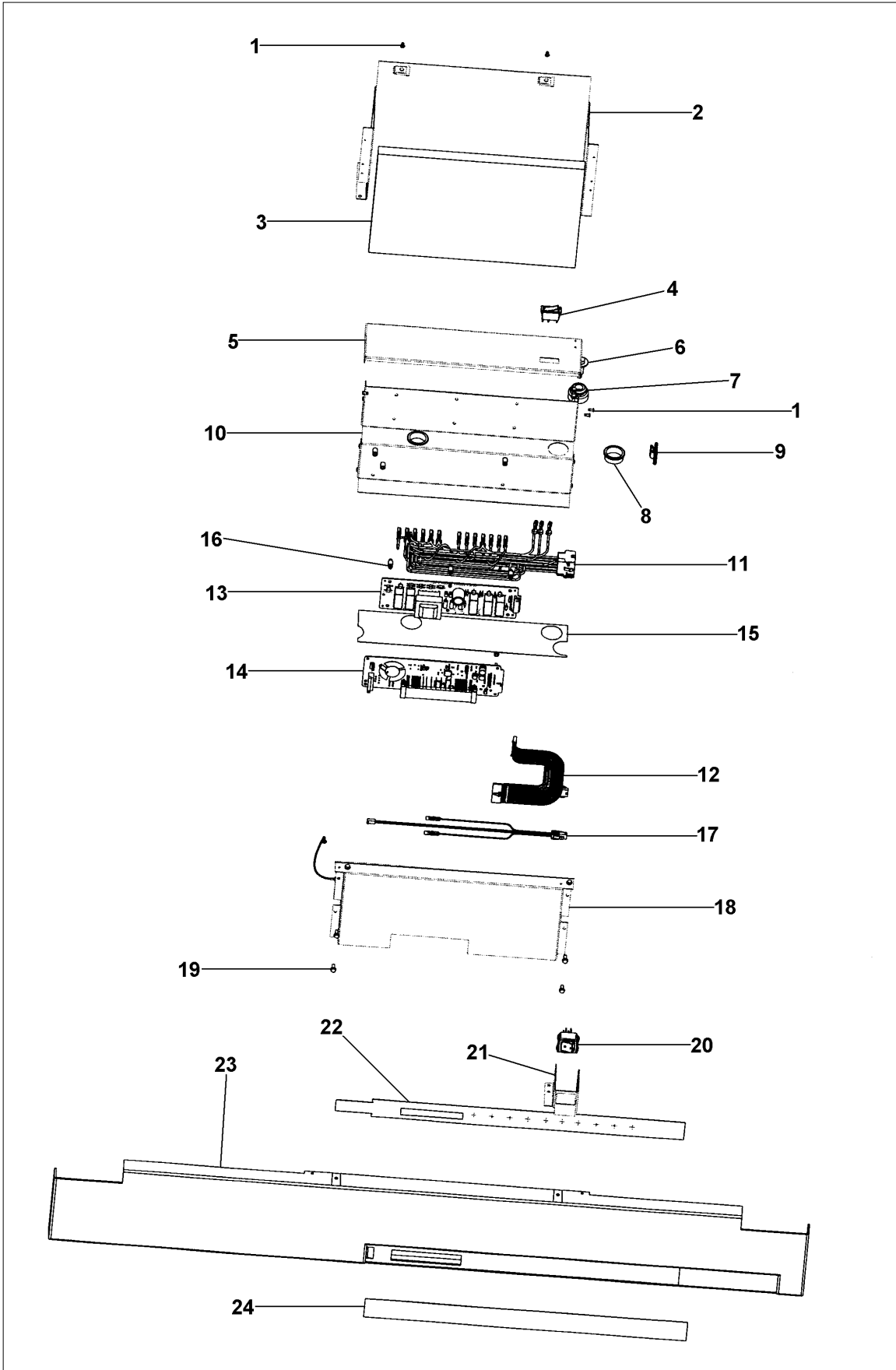
Item	Part No.	Name	Qty	Uom	NOTES
1	PK930086	COVER FAN SXS 48 FZ	1	EA	
2	K2096475	FAN MOUNTING PLATE	1	EA	
3	PD020188	SCR 8-18 BT HXWS 1 1/2	1	EA	
4	004551-000	AXIAL FAN	1	EA	
Comments for Part Num. 004551-000					
gboltz@VikingRange.com on Jul 21, 2016					
View service bulletin TR-0052-SP before ordering fan, if applicable order kit instead of fan					
5	M0218136	SCREW-SM	1	EA	NO LONGER AVAILABLE, Not available online / Call for pricing and availability
6	M0221913	SCREW-SM	1	EA	
7	M0270528	WASHER	1	EA	Not available online / Call for pricing and availability
8	M0232903	SCREW-SE	1	EA	NO LONGER AVAILABLE
9	12102501	RET-HARNESS	1	EA	
10	C8983701	THERMISTOR	1	EA	
11	PK930085	COVER FAN SXS 48 FF	1	EA	
12	004528-000	LAMP, 40 WATT CLEAR LIGHT	1	EA	
13	PE950125	LIGHT SOCKET	1	EA	
14	M0238616	SCREW, SMALL	1	EA	
15	M0238535	SCREW-SM	1	EA	
16	PK920024	LADDER FF R	1	EA	
17	PK920023	LADDER FF L	1	EA	NO LONGER AVAILABLE, Not available online / Call for pricing and availability
18	L2099475	BRACKET LIGHT SXS FZ	1	EA	
19	L2099492	BRACKET LIGHT SXS 48 FF	1	EA	
20	020117-000	COVER LIGHT ASM SXS 42 FZ	1	EA	
21	020114-000	COVER LIGHT ASM AF/AR 30 SXS 48 FF	1	EA	
22	PK930346	COVER LIGHT	1	EA	





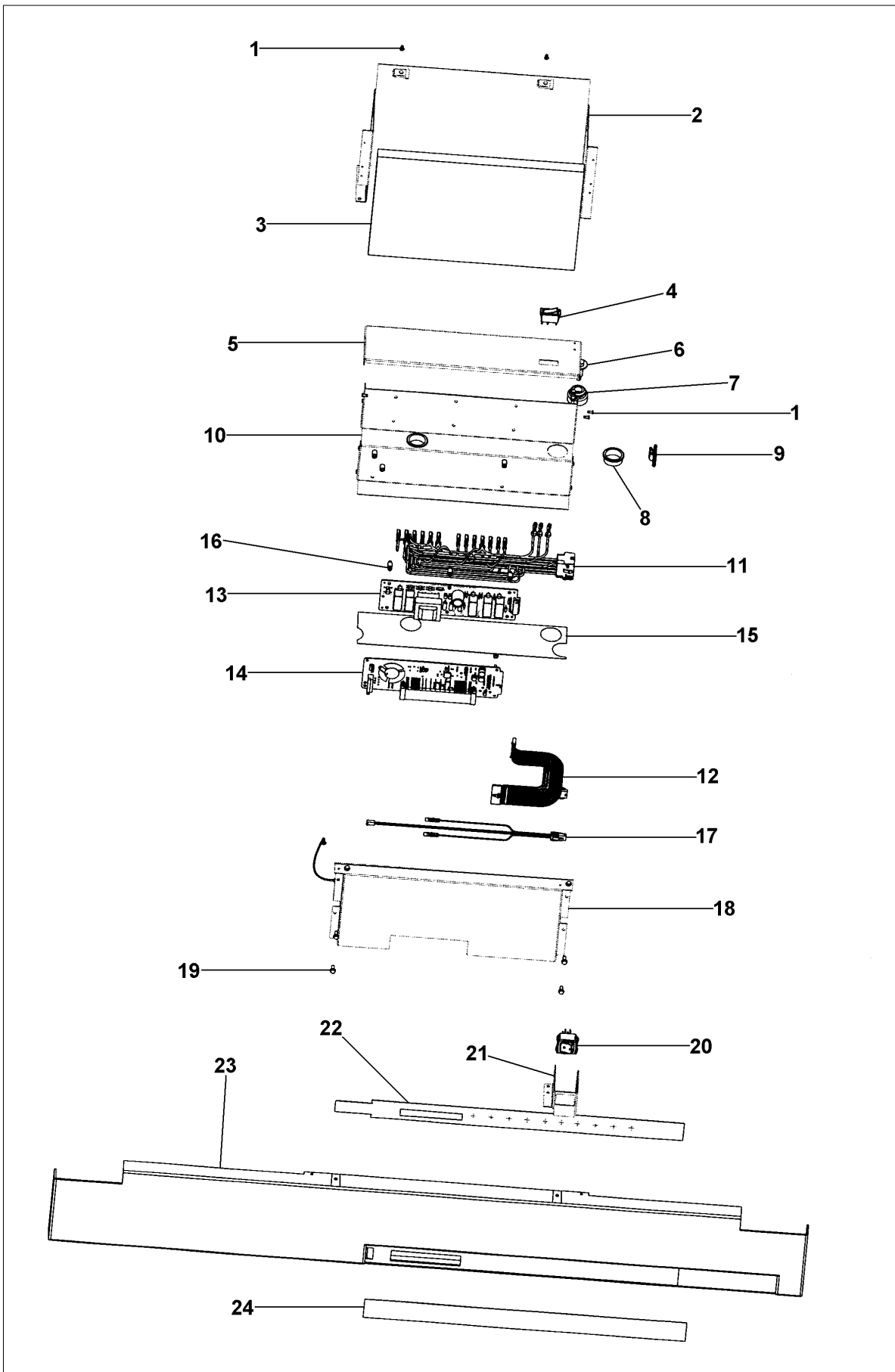
Item	Part No.	Name	Qty	Uom	NOTES
23	10270203	HOUSING-LIGHT V10270203	1	EA	
24	M0580007	GROMMET-SCREW	1	EA	
25	B5733302	CLIP-GROUND	1	EA	

CONTROL ASSY





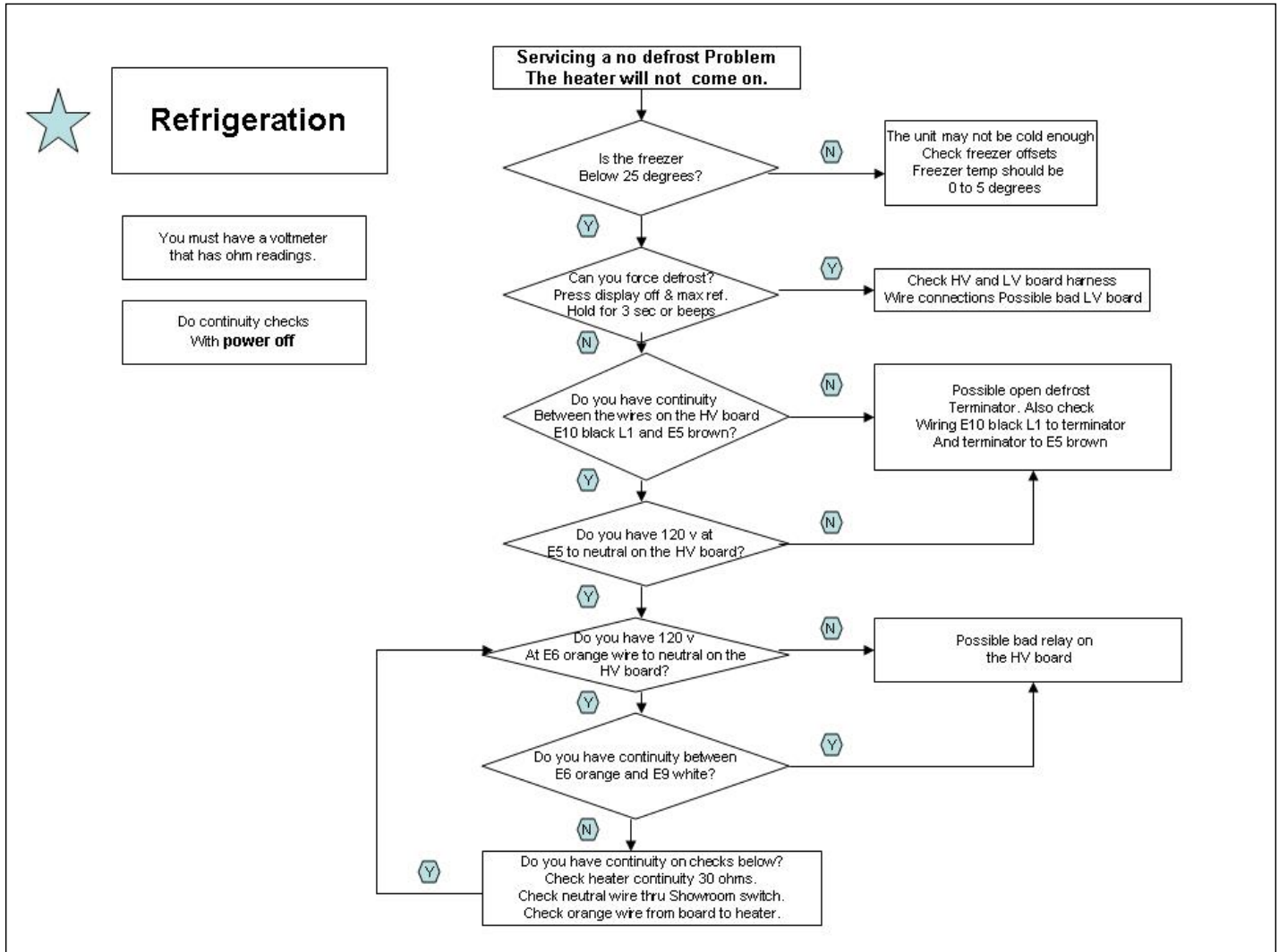
Item	Part No.	Name	Qty	Uom	NOTES
1	A4539601	DAMPER-TUBING .8		EA	Not available online / Call for pricing and availability
2	K2099402	CONTROL BOX		EA	
3	12074703	INSUL-CONT BOX V12074703		EA	NO LONGER AVAILABLE, Not available online / Call for pricing and availability
4	PE950150	SPDT ROCKER SW. W/LEGEND		EA	
5	K20910062	CONTROL BOX TOP		EA	NO LONGER AVAILABLE, Not available online / Call for pricing and availability
6	M0238846	SCREW-SHLDR		EA	
7	10835901	GROMMET RUBBER V10835901		EA	
8	A4554817	BUSHING-SNAP VA4554817		EA	
9	M0104106	CLIP-CORD VM0104106		EA	
10	K20910060	BRACKET - PC		EA	
11	PE970465	HARNESS HIGH VOLT		EA	
12	PE970464	HARNESS LOW VOLT 5 SERIES		EA	
13	005319-000	POWER CONTROL BOARD ASM 5 SERIES		EA	
<p>Comments for Part Num. 005319-000</p> <p>boltz on Apr 12, 2018 See TR-0056-SP Bulletin</p>					
14	002670-000	LOW VOLTAGE BOARD KIT W/HARNESS		EA	
<p>Comments for Part Num. 002670-000</p> <p>boltz on Apr 12, 2018 See TR-0022-SP Bulletin</p>					
Not Shown	NOTE	BEFORE 01/22/05		EA	
Not Shown	PE070728	BOARD LOW VOLTAGE		EA	



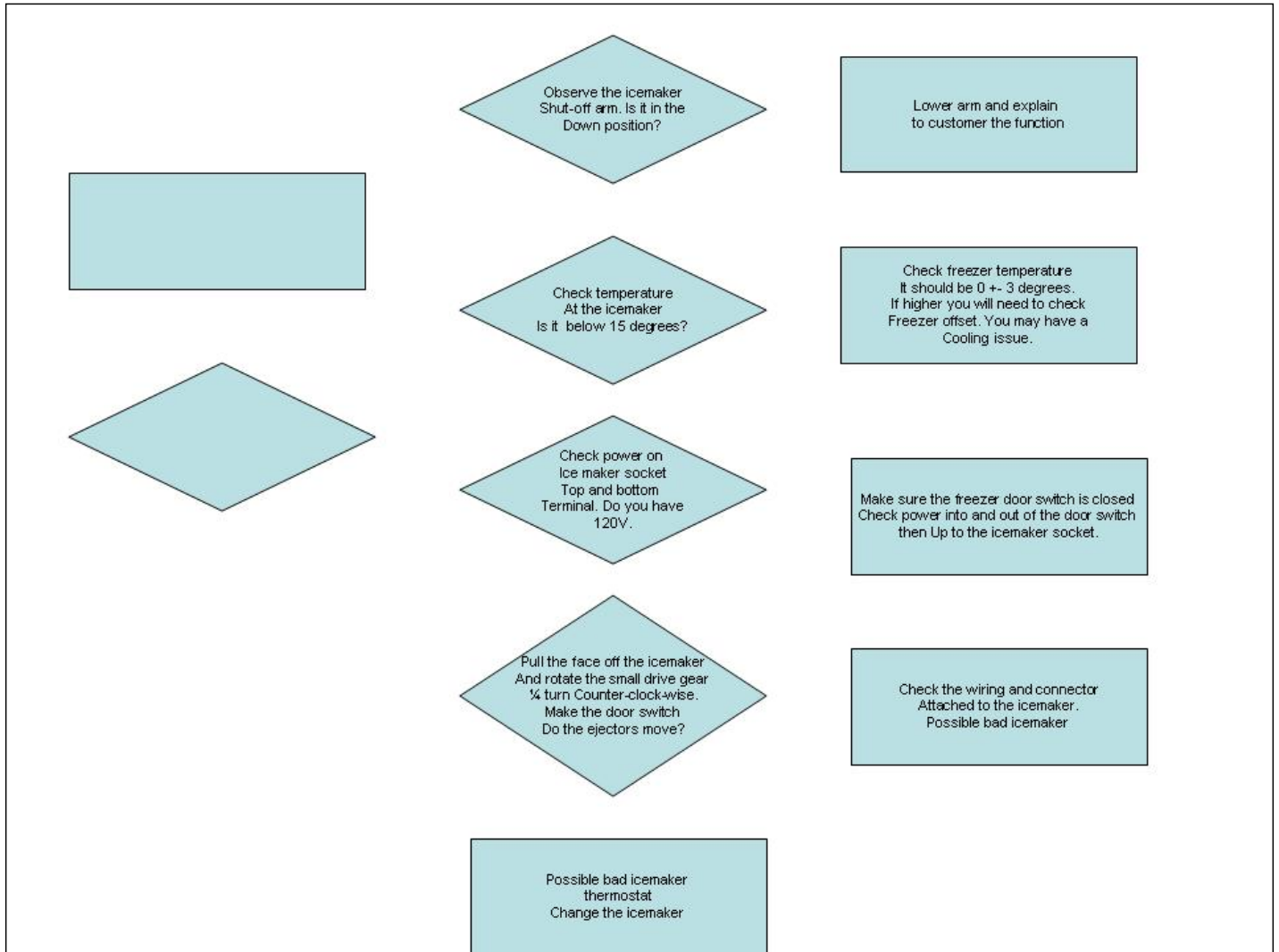


Item	Part No.	Name	Qty	Uom	NOTES
Comments for Part Num. PE070728					
bradleysapplianceservice@shaw.ca on Apr 27, 2016					
COULD ALSO USE: 002670-000 LOW VOLTAGE BOARD KIT ANALOG - INCLUDES WIRE HARNESS					
Not Shown	NOTE	ON OR AFTER 01/22/05		EA	
15	PM910325	FILM, PROTECTIVE		EA	
16	M0585504	SUPPORT		EA	
17	PE970609	HARNESS CONTROL BOARD 5 SERIES		EA	
18	K20910061	CONTROL BOX FRONT		EA	
19	M0238616	SCREW, SMALL		EA	
20	PE950149	SWITCH POWER		EA	
21	K2098654	Bracket, Power Switch		EA	
22	12235201	SWITCH-KEYBOARD		EA	
23	016593-000	PANEL CONTROL SXS 48		EA	
24	PE980002	SUB TO PE950172 - OVERLAY KEYBOARD SXS 48		EA	
#	10916507	CORD-POWER 5 SERIES		EA	

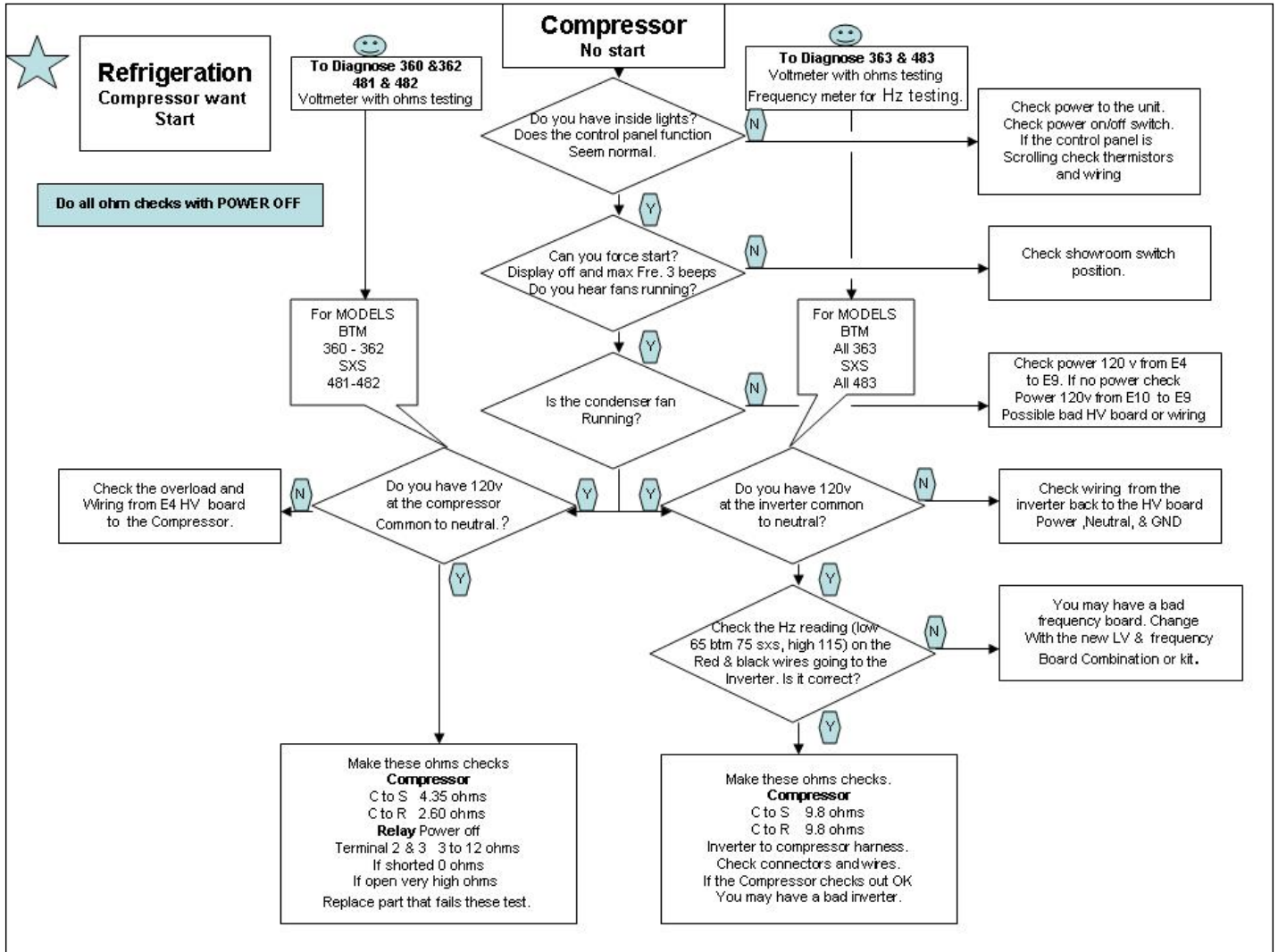
FLOW CHART DEFROST



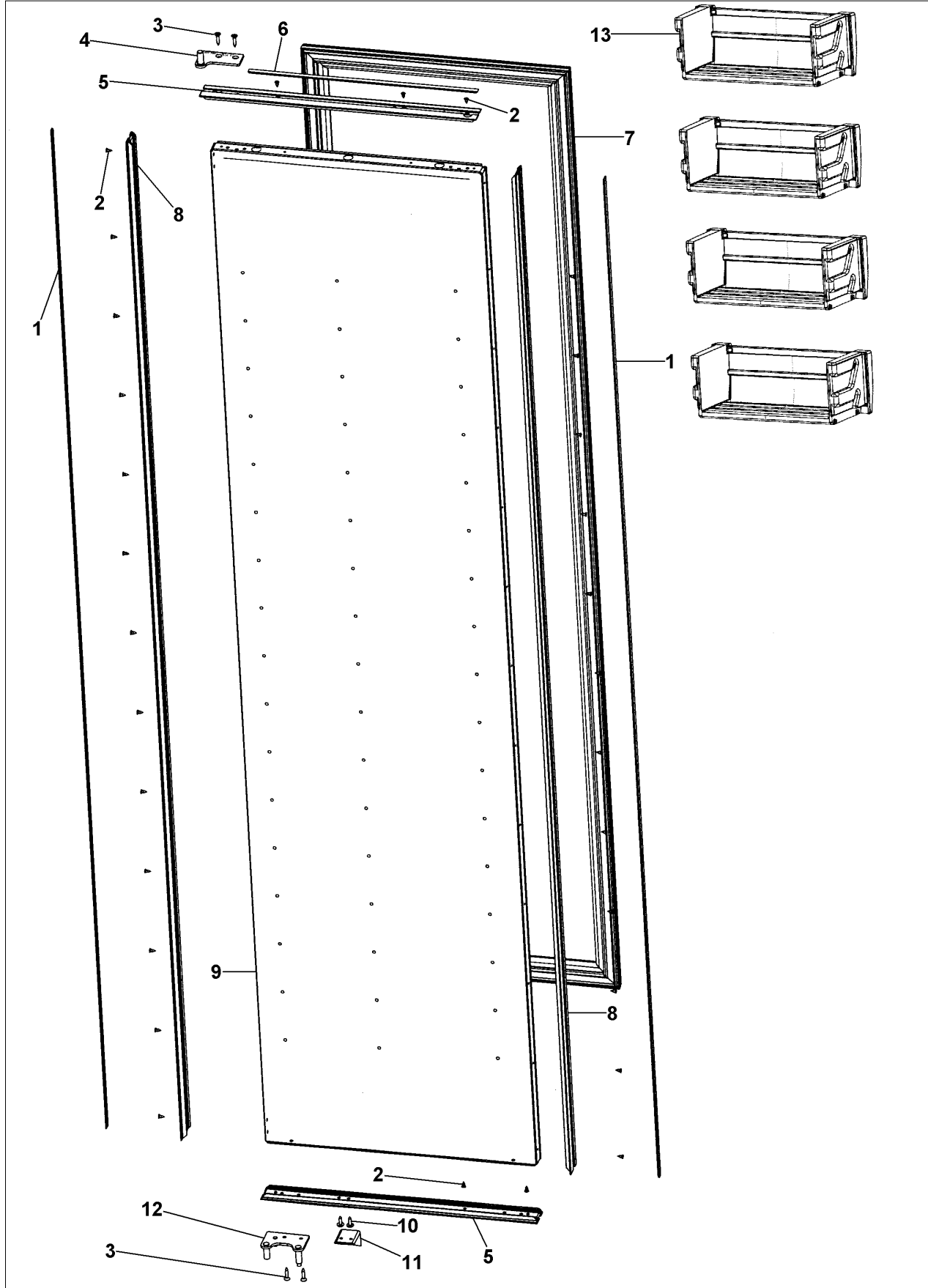
FLOW CHART ICE MAKER



FLOW CHART NO COMPRESSOR



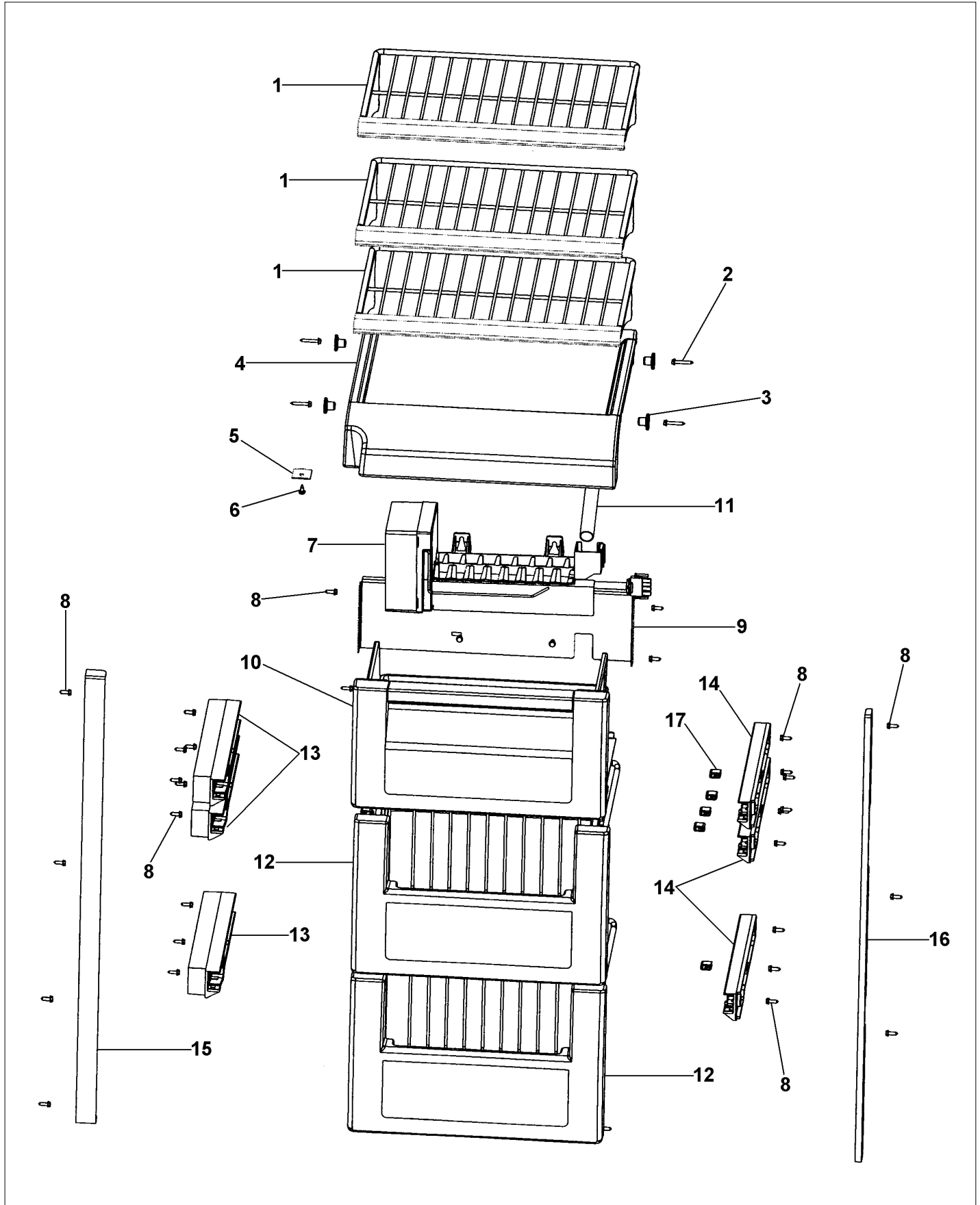
FREEZER DOOR ASSY





Item	Part No.	Name	Qty	Uom	NOTES
1	PM910097	INSERT SXS FF/FZ SIDE 12063706	1	EA	
2	M0215704	SCREW-SM	1	EA	
3	PD920174	10X7/8 PHILLIPS SMA TRI LOBE SA	1	EA	
4	PC920208	PIVOT PL ASM LH UP FOL	1	EA	
5	PM910377	DOOR FRAME - TOP / BOTTOM	1	EA	Not available online / Call for pricing and availability
6	PM910345	INSERT FRAME DOOR TOP SXS 42 FZ FO	1	EA	
7	PB070294	DOOR GASKET, 48 SXS FZ SIDE CHARGE	1	EA	
8	000953-000	EXTRUSION,FOL,SIDE	1	EA	
9	G50910036	DOOR ASM SXS 48 FZ	1	EA	
10	M0210458	SCR 8-18 X 5/8 WAFER PH SMS	1	EA	
11	PD050019	STRIKER DOOR SWITCH	1	EA	
12	PC920206	PIVOT PL ASM LH LW FOL	1	EA	
13	036888-000	DOORBIN ASM SXS FZ	1	EA	
NI	K2096650	BRKT-DEC PANEL	1	EA	
NI	K2096651	BRKT-DEC PANEL	1	EA	

FRZ COMPARTMENT ASSY





Item	Part No.	Name	Qty	Uom	NOTES
1	PM910411	SHELF WIRE AF 36	1	EA	
2	M0211021	SCREW-SM	1	EA	
3	12258501	SUPPORT-SHELF	1	EA	
4	PK930079	SHELF COVER SXS 48 FZ	1	EA	
5	K2096494	BRACKET, ICE MAKER	1	EA	Not available online / Call for pricing and availability
6	M0224416	SCREW-SM	1	EA	
7	G50911858	ICE MAKER ASM, NLA, order components, see TR-0023C-SP	1	EA	NO LONGER AVAILABLE

Comments for Part Num. G50911858

jennifer@thetrend.com on Feb 12, 2016

It would be nice to have the ice maker in the right location. Even better if it gave the right part number.

vharding68@verizon.net on Mar 16, 2016

Doesn't matter where it is or the part number....There has been a bulletin on these ice makers since November of 2007 (Btw...it is superseded by another bulletin that is prior to that date).

Bulletin number TR-0023B-SP

Val @ bob's, pa

bradleysapplianceservice@shaw.ca on Sep 1, 2016

SERVICE BULLETIN: TR-0023B-SP

SUBS TO:

002252-000 ICE MAKER MODULE

002251-000 ICE MAKER BAIL ARM

002253-000 ICE MAKER WIRE HARNESS

platinumcares@aol.com on Dec 4, 2017

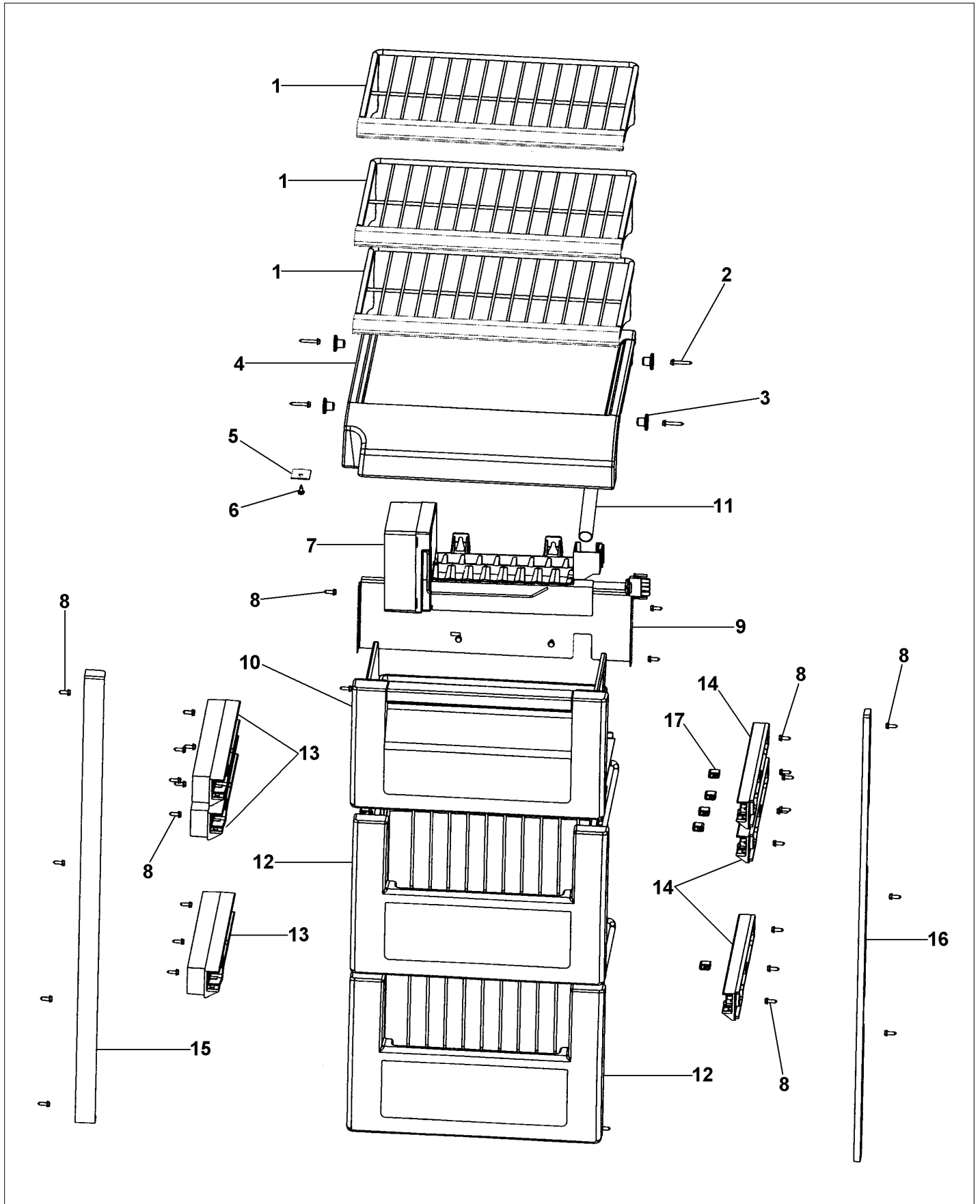
i/m assy #002252-000

wire harness 002253-000

arm # 002251-000

you will need all three

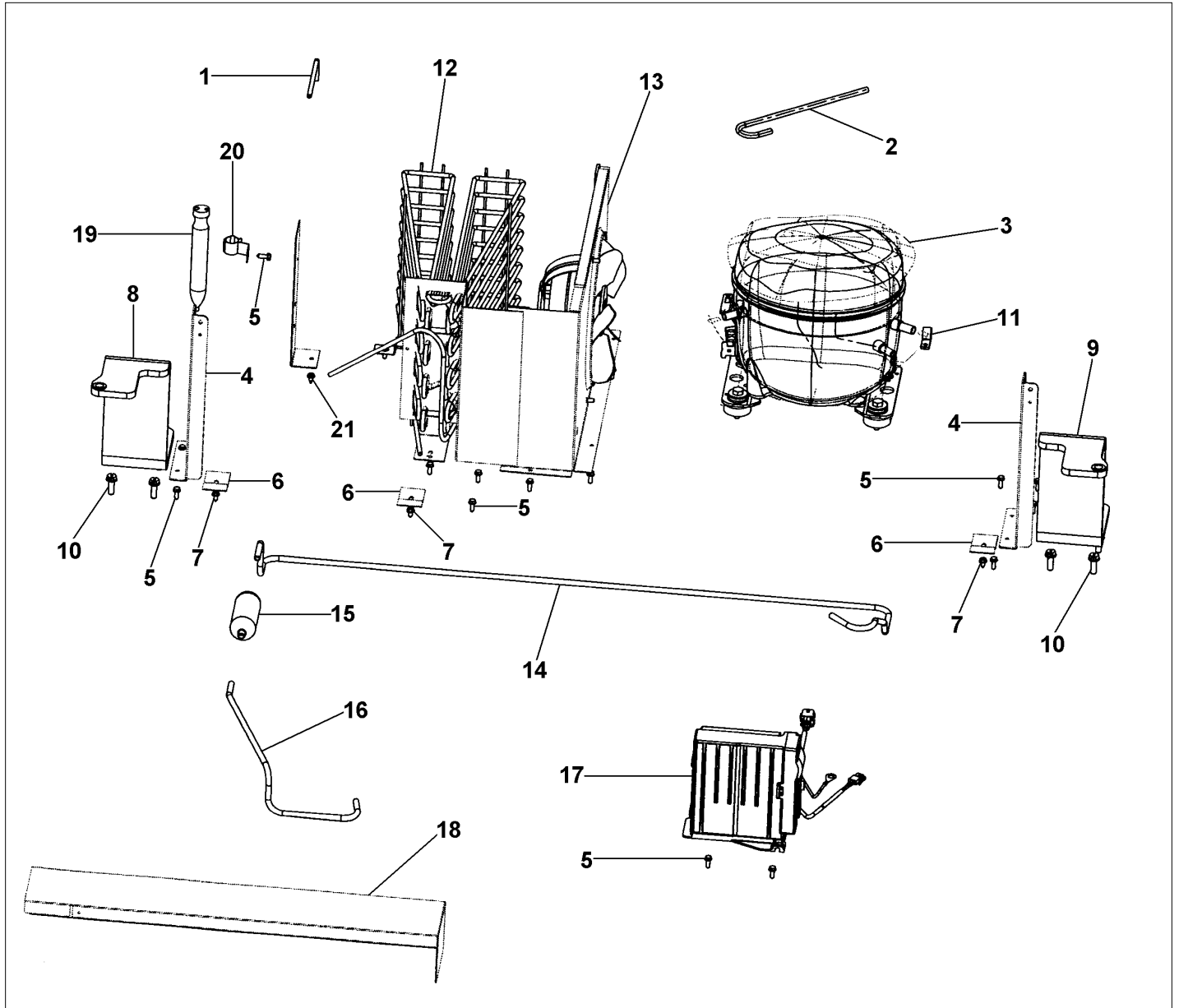
NI	D7873501	WIRE-IM SHUTOFF BLU	1	EA	
8	M0238616	SCREW, SMALL	1	EA	
9	C9097183WH	SUPPORT IM ND SXS 48 WH	1	EA	
10	PK930076	ICE PAN ASM SXS 48	1	EA	





Item	Part No.	Name	Qty	Uom	NOTES
11	A3127415	EXT-FILL TUBE	1	EA	
12	PM910190	BASKET ASM FZ	1	EA	
13	PK930075	GLIDE SXS 48 FZ L	1	EA	
14	PK930074	GLIDE SXS 48 FZ R	1	EA	
15	PK930073	CLOSEOUT SIDE SXS 48 FZ L	1	EA	
16	V12304301	CLOSEOUT-FZ SIDE #	1	EA	
17	12064701	PAD-GLIDE V12064701	1	EA	

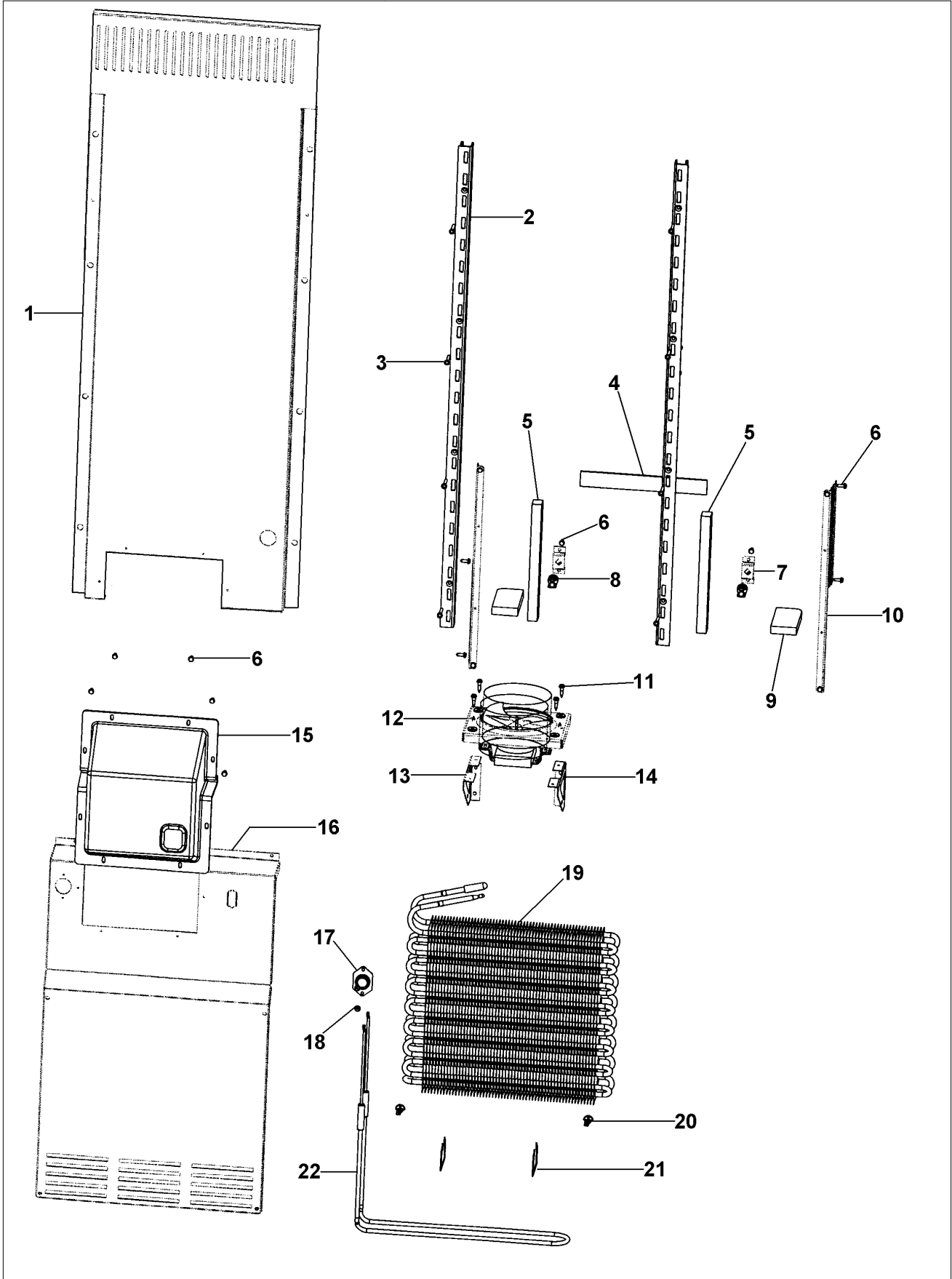
HIGH SIDE ASSY





Item	Part No.	Name	Qty	Uom	NOTES
1	F2096504	TUBE-DRIER EXT	1	EA	
2	F2096507	TUBE-PROCESS GRN	1	EA	
3	G5097976	Compressor Assembly (Includes Drier)	1	EA	
4	K20912569	BRACKET GRILLE SUPPORT	1	EA	
5	M0238616	SCREW, SMALL	1	EA	
6	K2096943	PANEL BRACKET	1	EA	
7	M0211016	SCREW-SM	1	EA	
8	PC920204	HINGE ASM UL	1	EA	
9	PC920203	HINGE ASM UR	1	EA	
10	000570-000	FASTENER, BOLT, 1/4-20 IHXWS 1" S ZN SER	1	EA	
11	M0102303	Clamp, Tube	1	EA	
12	PB920171	CONDENSER ASM	1	EA	
13	G5096494	COND. FAN ASSY	1	EA	
14	F2099443	TUBE DISCHARGE FORMED PRE ACCUM	1	EA	
15	PB920201	ACCUMULATOR	1	EA	
16	F2099444	TUBE DISCHARGE FORMED POST ACCUM	1	EA	
17	011666-000	INVERTER,CMPR,ASM	1	EA	
<p>Comments for Part Num. 011666-000</p> <p>gboltz@VikingRange.com on Aug 9, 2018</p> <p>See 2018-01P Parts Bulletin</p>					
18	K20912585	DIVERTER AIR HI SIDE SXS	1	EA	Not available online / Call for pricing and availability
19	PM010616	DRIER - HIGH SIDE	1	EA	
20	10547001	CLIP-DRIER V10547001	1	EA	
21	M0232929	SCREW-SE	1	EA	

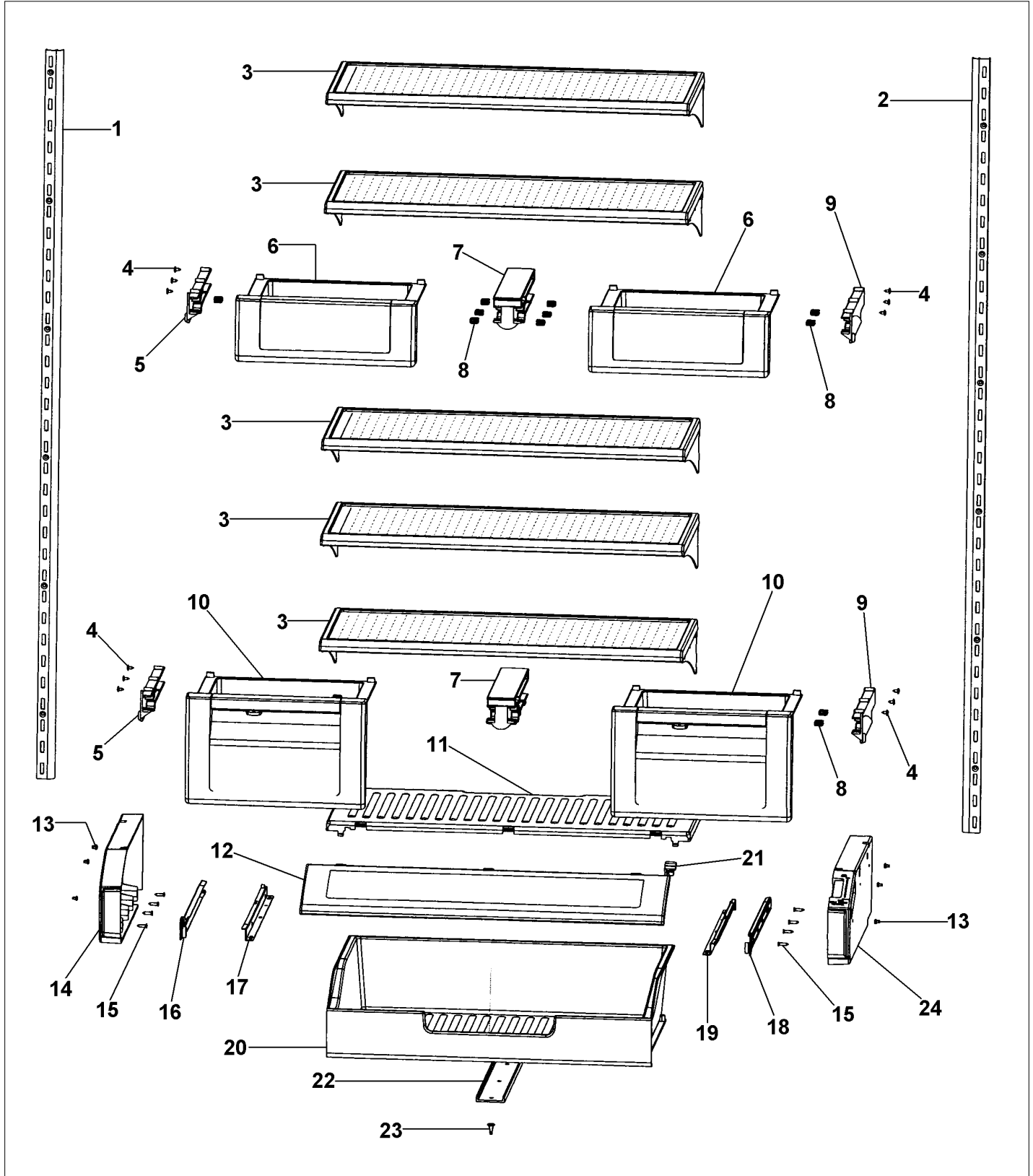
LOW SIDE ASSY





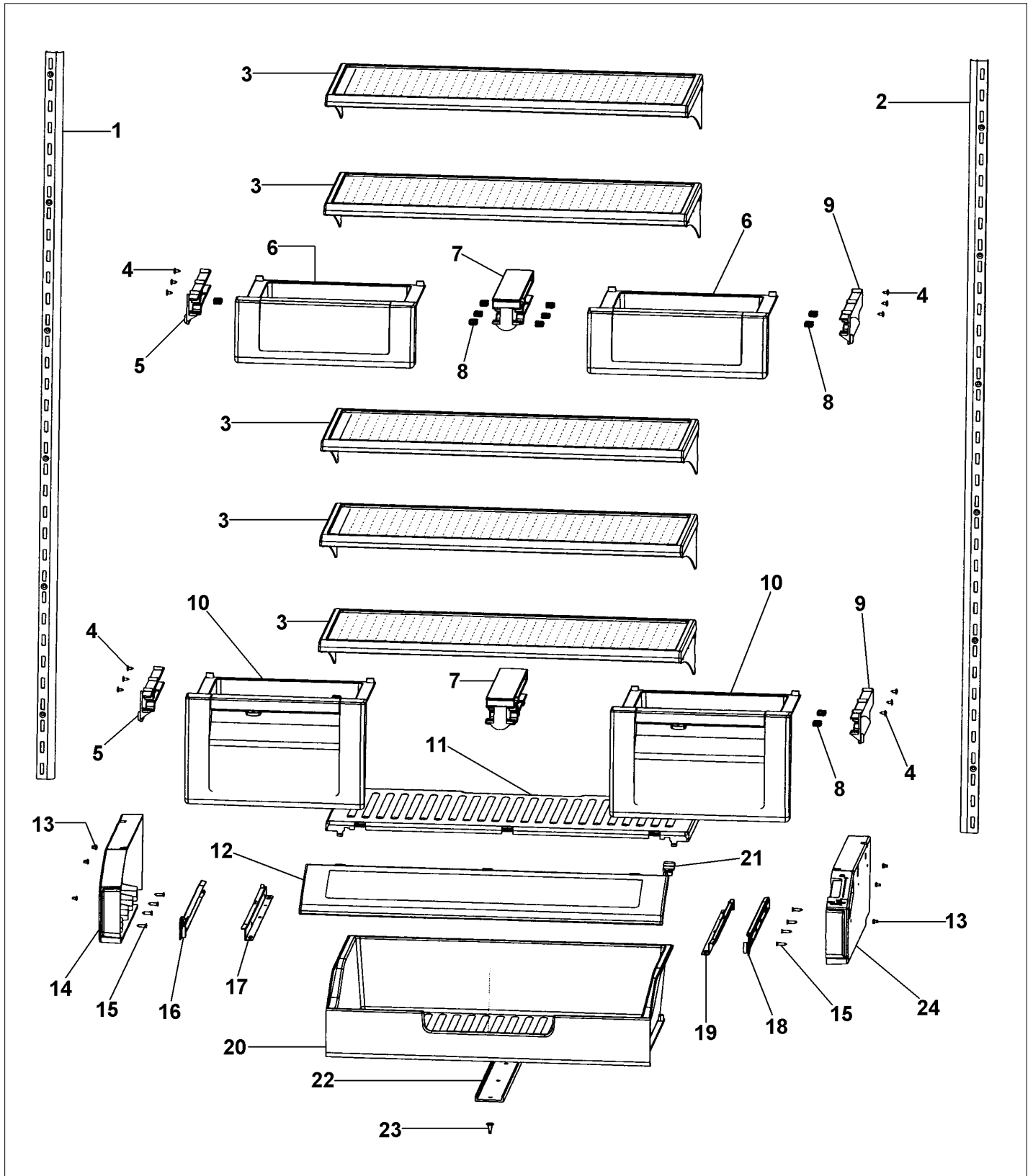
Item	Part No.	Name	Qty	Uom	NOTES
1	L2097181	COVER EVAP UPPER SXS 48	1	EA	
2	12231701	LADDER-FZ L/R SIDE 42/48	1	EA	
3	M0238535	SCREW-SM	1	EA	
4	A3189370	GASKET-FOAM VA3189370	1	EA	
5	A3030361	GASKET RED	1	EA	
6	M0238616	SCREW, SMALL	1	EA	
7	K2096456	BRKT-EVAP CLIP 12215101	1	EA	
8	10623003	CLIP-EVAP	1	EA	
9	10629001	BLOCK-R AIR COIL RED	1	EA	
10	K2096461	BRKT-EVAP COVER 12234801	1	EA	
11	M0238859	SCREW-SHLDR	1	EA	
12	G5098660	FAN EVAP ASM PANASONIC	1	EA	
13	K2096458	BRKT-L-EVAP-FAN 12223102	1	EA	
14	K2096457	BRKT-R-EVAP FAN 12223101	1	EA	
15	PK930150	COVER CTR EVAP SXS	1	EA	
16	L2097182	COVER EVAP LOWER SXS 48	1	EA	
17	C8983701	THERMISTOR	1	EA	
18	M0211014	SCREW-SM	1	EA	Not available online / Call for pricing and availability
19	PM910206	EVAPORATOR SXS 48	1	EA	
20	10527401	CLIP-EVAP	1	EA	
21	10428101	CLIP-EVAP HTR V10428101	1	EA	
22	PJ910031	HEATER EVAP SXS	1	EA	
NI	PB920155	HEAT EXCHANGER ASM SXS 48	1	EA	
NI	058966-000	THERMOSTAT, SNAP ACTION, 55 OPEN 20 CLOSE	1	EA	
NI	PE970412	HARNES JUMPER EVAP FAN MOTOR	1	EA	

REF COMPARTMENT ASSY





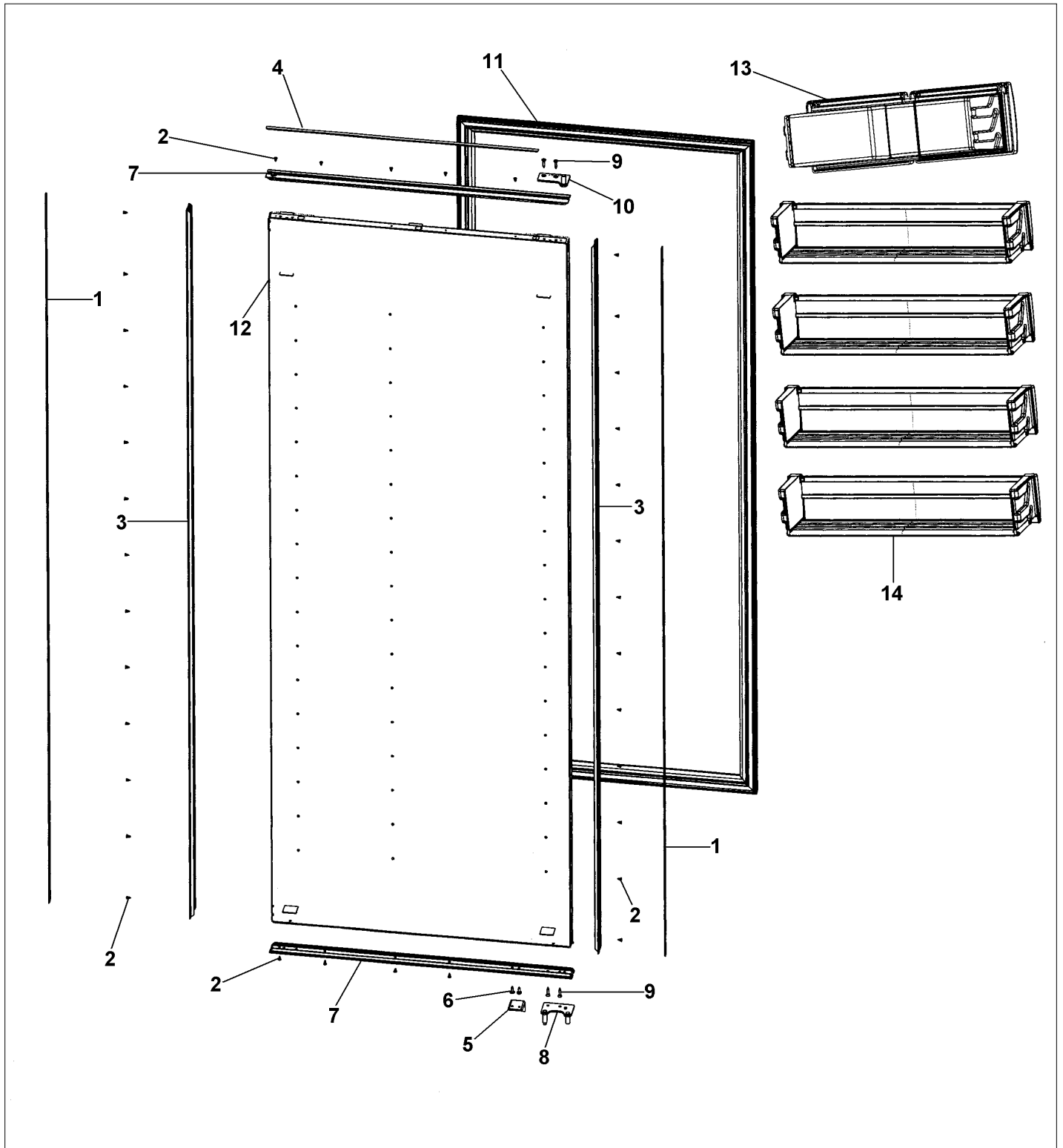
Item	Part No.	Name	Qty	Uom	NOTES
1	PK920023	LADDER FF L		EA	NO LONGER AVAILABLE, Not available online / Call for pricing and availability
2	PK920024	LADDER FF R		EA	
3	043624-000	SHELF ASM GLASS 30 AR 48 FF		EA	
4	M0220417	SCREW-TC		EA	
5	12064501	GLIDE-LEFT CRISPER		EA	
6	V12183901	DAIRY DRAWER ASSY 48"/48D		Wholesale Price	
7	V12064601	GLIDE-CTR CRISPER #		Wholesale Price	
8	12064701	PAD-GLIDE V12064701		EA	
9	12064502	GLIDE-RIGHT CRISPER		EA	
10	12144302	CRISPER PAN ASSY 48"/48 DISP		EA	
11	PK930044	DELI TOP SXS		EA	
Not Shown	NOTE	(MUST ORDER DELI TOP ASSEMBLY)		EA	
#	12486202	CLIP-DELI TOP 36" REPL V12486201		EA	
Not Shown	NOTE	(MUST ORDER DELI TOP ASSEMBLY)		EA	
12	V12223208	DELI LID ASSY 48"/48D		Wholesale Price	
Not Shown	NOTE	(MUST ORDER DELI TOP ASSEMBLY)		EA	
13	PD920162	SCR 8-16 PLASTITE PNP 1/4 S		EA	
14	PK930087	SUPPORT DRAWER SXS 48 L		EA	
15	M02103503	SCREW, SM		EA	Not available online / Call for pricing and availability
16	12073901	GLIDE-L SUPPORT V12073901		EA	
17	12073902	GLIDE-L DRAWER V12073902		EA	
18	12073903	GLIDE-R SUPPORT V12073903		EA	
19	12073904	GLIDE-R DRAWER V12073904		EA	





Item	Part No.	Name	Qty	Uom	NOTES
20	V12073304	DRAWER-DELI 48"/48"Disp		Wholesale Price	
21	V12073401	KNOB-DELI CONT		Wholesale Price	
#	V12073601	SLIDE-DELI CONT		EA	NO LONGER AVAILABLE
#	V12231201	COVER-AIR CONTROL		Wholesale Price	
22	12118901	TRACK-DELI DRAWER		EA	
23	M0581001	GROMMET-SCREW VM0581001		EA	
24	V12073003	SUPPORT-R DRAWER #		Wholesale Price	
#	019244-000	ACCESSORY, ASM		EA	
NI	000485-000	DELI TOP ASSEMBLY - 48 SXS		EA	

REFRIGERATOR DOOR ASSY

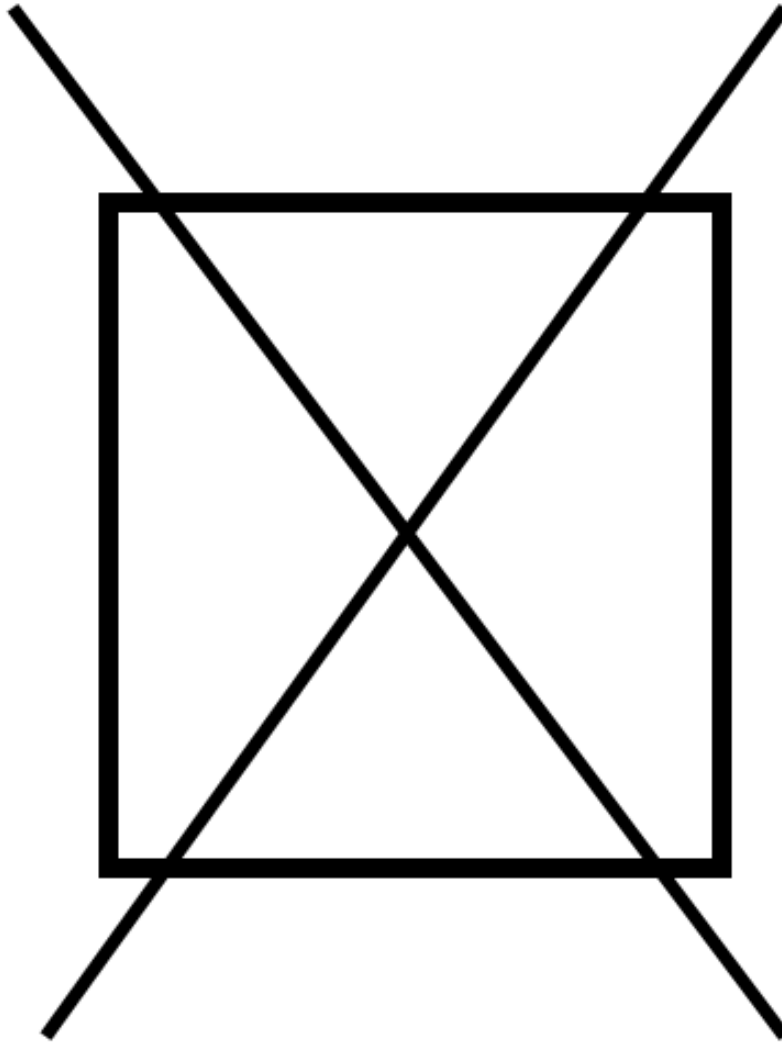




Item	Part No.	Name	Qty	Uom	NOTES
1	PM910097	INSERT SXS FF/FZ SIDE 12063706	1	EA	
2	M0215704	SCREW-SM	1	EA	
3	000953-000	EXTRUSION,FOL,SIDE	1	EA	
4	PM910400	SUB TO PM910117 - INSERT FRAME DOOR SXS FF FO	1	EA	NO LONGER AVAILABLE
5	PD050019	STRIKER DOOR SWITCH	1	EA	
6	M0210458	SCR 8-18 X 5/8 WAFER PH SMS	1	EA	
7	PM010614	TRIM DOOR 48 FF TOP BOT FOL	1	EA	
8	PC920205	PIVOT PL ASM RH LW FOL	1	EA	
9	PD920174	10X7/8 PHILLIPS SMA TRI LOBE SA	1	EA	
10	PC920207	PIVOT PL ASM RH UP FOL	1	EA	
11	PB070296	DOOR GASKET, 48 SXS FF SIDE CHARGE	1	EA	
12	G50910035	DOOR ASM SXS 48 FF	1	EA	
13	V12203602	DAIRY MODULE ASSY #	1	EA	
14	036886-000	DOORBIN ASM SXS 48 FF	1	EA	
NI	K2096648	BRKT-DEC PANEL	1	EA	
NI	K2096650	BRKT-DEC PANEL	1	EA	

UPPER GRILLE ASSY (AFTER)

NON
ILLUSTRATED PART

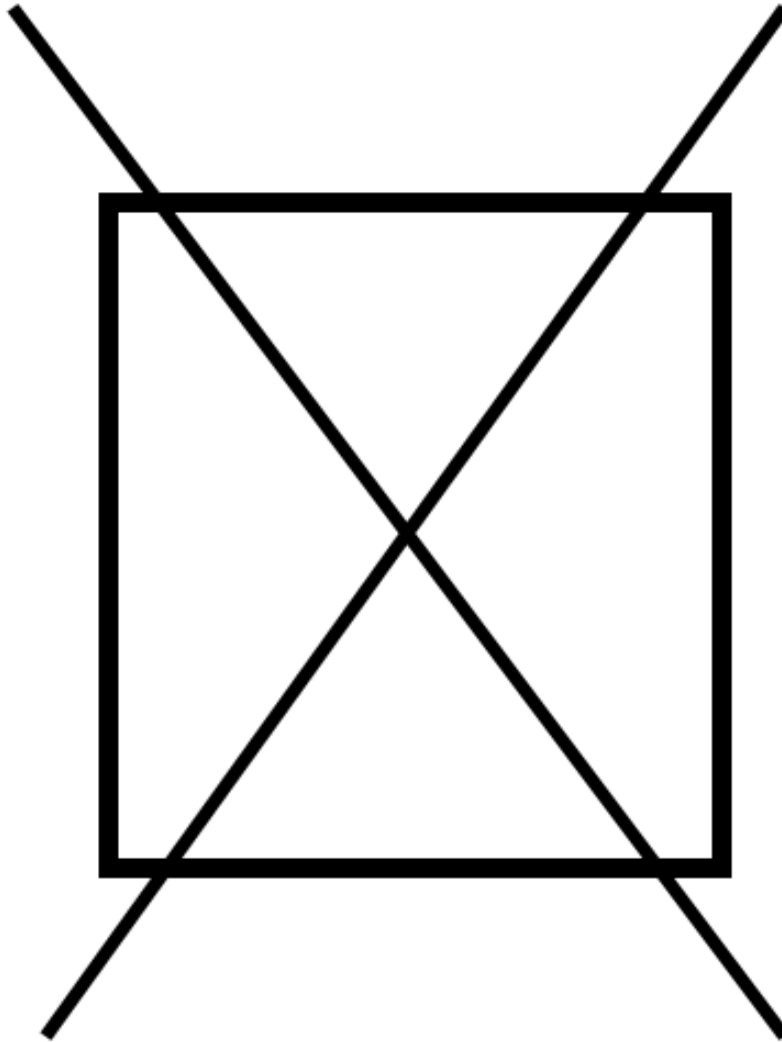




Item	Part No.	Name	Qty	Uom	NOTES
1	PM910364	GRILLE UPPER SXS 48 DES	1	EA	NO LONGER AVAILABLE
2	PM910365	GRILLE CENTER SXS 48 DES	1	EA	
3	016194-000	GRILLE LOWER SXS 48 DES	1	EA	
4	PM910084	SUPPORT GRILLE 12201201	1	EA	
5	M0230028	SCREW-TC	1	EA	
6	A3189371	GASKET, FOAM	1	EA	Not available online / Call for pricing and availability
7	K20912362	BRACKET GRILLE	1	EA	Not available online / Call for pricing and availability
8	M0224128	SCREW-SM	1	EA	
9	C9099470BK	BRACKET GRILLE SUPPORT DES R	1	EA	Not available online / Call for pricing and availability
10	M0238616	SCREW, SMALL	1	EA	
11	PM910348	ENP CAP GRILLE R	1	EA	
12	M0215318	SCREW-SM	1	EA	
13	PM910072	COVER - END CAP	1	EA	
14	C9099471BK	BRACKET GRILLE SUPPORT DES L	1	EA	Not available online / Call for pricing and availability
15	PM910349	END CAP GRILLE L	1	EA	
16	PM910071	COVER - END CAP 12119801	1	EA	
17	PM910507	GRILLE SPACER 48 FOL	1	EA	
18	PM910369	GRILLE EXTENSION SXS 48 FO	1	EA	NO LONGER AVAILABLE
19	M0213147	SCREW-SM	1	EA	
NI	G32912580	GRILLE ASM SXS 48 FOL	1	EA	

UPPER GRILLE ASSY (BEFORE)

NON
ILLUSTRATED PART





Item	Part No.	Name	Qty	Uom	NOTES
1	G90910012	AIR DUCT WELD ASSEMBLY	1	EA	Not available online / Call for pricing and availability
2	M0238616	SCREW, SMALL	1	EA	
3	PM910364	GRILLE UPPER SXS 48 DES	1	EA	NO LONGER AVAILABLE
4	PM910413	GRILLE SPACER SXS 48 FOL	1	EA	NO LONGER AVAILABLE, Not available online / Call for pricing and availability
5	M0238921	SCREW-SM	1	EA	NO LONGER AVAILABLE
6	PM910365	GRILLE CENTER SXS 48 DES	1	EA	
7	A3189371	GASKET, FOAM	1	EA	Not available online / Call for pricing and availability
8	PM910084	SUPPORT GRILLE 12201201	1	EA	
9	M0230028	SCREW-TC	1	EA	
10	M0224128	SCREW-SM	1	EA	
11	PM910369	GRILLE EXTENSION SXS 48 FO	1	EA	NO LONGER AVAILABLE
12	016194-000	GRILLE LOWER SXS 48 DES	1	EA	
13	C9099470BK	BRACKET GRILLE SUPPORT DES R	1	EA	Not available online / Call for pricing and availability
14	C9099471BK	BRACKET GRILLE SUPPORT DES L	1	EA	Not available online / Call for pricing and availability
15	M0215318	SCREW-SM	1	EA	
16	PM910348	ENP CAP GRILLE R	1	EA	
17	PM910349	END CAP GRILLE L	1	EA	
18	PM910072	COVER - END CAP	1	EA	
19	PM910071	COVER - END CAP 12119801	1	EA	
NI	G32910015	GRILLE ASM SXS 48 FOL	1	EA	NO LONGER AVAILABLE



Appendix A:Pages Index

BOTTOM ASSY 1
CABINET EXTERIOR ASSY 2
CABINET INTERIOR ASSY 3
CONTROL ASSY 4
FLOW CHART DEFROST 5
FLOW CHART ICE MAKER 6
FLOW CHART NO COMPRESSOR 7
FREEZER DOOR ASSY 8
FRZ COMPARTMENT ASSY 9
HIGH SIDE ASSY 10
LOW SIDE ASSY 11
REF COMPARTMENT ASSY 12
REFRIGERATOR DOOR ASSY 13
UPPER GRILLE ASSY (AFTER) 14
UPPER GRILLE ASSY (BEFORE) 15



Appendix B:Parts Index

000485-000	12	12102501	3
000570-000	1, 10	12118901	12
000953-000	8, 13	12135402	2
002670-000	4	12144302	12
004528-000	3	12231701	11
004551-000	1, 3	12235201	4
005319-000	4	12258501	9
011666-000	10	12486202	12
016194-000	14, 15	4037P01	2
016593-000	4	A3030361	11
019244-000	12	A3127415	9
020114-000	3	A3189370	11
020117-000	3	A3189371	14, 15
036886-000	13	A4539601	2, 4
036888-000	8	A4554806	2
043624-000	12	A4554817	4
058966-000	11	B5733302	3
060890-000	1	C8983701	3, 11
060891-000	1	C90910004BK	2
10270203	3	C90910006BK	2
10428101	11	C9097183WH	9
10527401	11	C9098045BK	1
10547001	10	C9098046BK	1
10623003	11	C9099470BK	14, 15
10629001	11	C9099471BK	14, 15
10835901	4	D7873501	9
10916507	4	F2096504	10
12064501	12	F2096507	10
12064502	12	F2099443	10
12064701	9, 12	F2099444	10
12071301	1	F2099467	1
12073901	12	G32910015	15
12073902	12	G32912580	14
12073903	12	G3298648	1
12073904	12	G3298649	1
12074601	2	G50910002	2
12074701	2	G50910035	13
12074702	2	G50910036	8
12074703	4	G50911858	9
12074704	2	G5096419	2
		G5096494	10



DFSB483HSERIES

G5097976	10	M0211016	10
G5098660	11	M0211021	9
G90910012	15	M0213147	14
K20910007	2	M0215318	14, 15
K20910008	2	M0215704	8, 13
K20910060	4	M0218136	3
K20910061	4	M0218137	1
K20910062	4	M0220417	1, 12
K20911386	1	M0221523	1
K20912362	14	M0221913	3
K20912569	10	M0223509	2
K20912585	10	M0224128	14, 15
K20913040	1	M0224416	9
K2096456	11	M0230028	14, 15
K2096457	11	M0232903	3
K2096458	11	M0232929	10
K2096461	11	M0238535	3, 11
K2096475	3	M0238616	2, 3, 4, 9, 10, 11, 14, 15
K2096494	9	M0238846	4
K2096648	13	M0238859	11
K2096650	8, 13	M0238921	15
K2096651	8	M0270510	2
K2096943	10	M0270528	3
K2098044	1	M0580007	3
K2098096	1	M0581001	12
K2098654	4	M0585504	4
K2099402	4	PA970012	1
K2099455	2	PB020302	1
K2099459	2	PB070294	8
K2099460	2	PB070296	13
K2099464	1	PB920155	11
L2097181	11	PB920171	10
L2097182	11	PB920201	10
L2099475	3	PB920202	1
L2099492	3	PB970171	2
M0102303	10	PB970173	2
M0104106	1, 4	PB970174	2
M02103503	12	PC910015	1
M0210443	2	PC920144	1
M0210458	8, 13	PC920145	1
M0211014	11	PC920149	1



DFSB483HSERIES

PC920166	1	PK930150	11
PC920203	10	PK930346	3
PC920204	10	PK930348	1
PC920205	13	PM010614	13
PC920206	8	PM010616	10
PC920207	13	PM910071	14, 15
PC920208	8	PM910072	14, 15
PD020188	3	PM910084	14, 15
PD030146	1	PM910097	8, 13
PD050019	8, 13	PM910190	9
PD920162	12	PM910206	11
PD920174	8, 13	PM910325	4
PD930135	1	PM910345	8
PD940091	1	PM910348	14, 15
PD940094	1	PM910349	14, 15
PD940107	1	PM910364	14, 15
PE070728	4	PM910365	14, 15
PE950125	3	PM910369	14, 15
PE950146	1	PM910377	8
PE950147	1	PM910400	13
PE950149	4	PM910411	9
PE950150	4	PM910413	15
PE970412	11	PM910498	1
PE970464	4	PM910507	14
PE970465	4	V12064601	12
PE970609	4	V12073003	12
PE980002	4	V12073304	12
PJ910031	11	V12073401	12
PK910089	2	V12073601	12
PK920023	3, 12	V12183901	12
PK920024	3, 12	V12203602	13
PK920066	2	V12223208	12
PK930044	12	V12231201	12
PK930073	9	V12304301	9
PK930074	9		
PK930075	9		
PK930076	9		
PK930079	9		
PK930085	3		
PK930086	3		
PK930087	12		